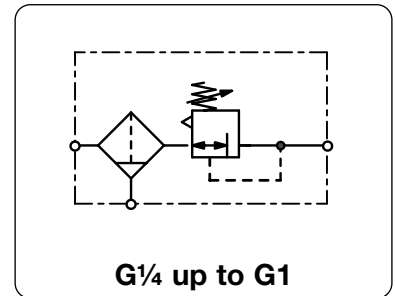


"MAXI" FILTER PRESSURE REGULATOR

B20/B21

Description	High-capacity filter regulator of modular design with exchangeable inserts. Can be interlocked with lubricator without needs for double nipples. Each "maxi" device may be taken from a fixed line in seconds by simply removing the mounting bolts.		
Media	compressed air or non-corrosive gases		
Supply pressure	max. 17 bar		
Adjustment	by plastic knob with snap-lock at B20, by T-handle with locknut at B21		
Relieving function	relieving	Gauge port	G $\frac{1}{4}$ on both sides of the body, screw plugs supplied
Bowl	metal version with sight glass		
Drainage	manual drain as standard, optionally semiautomatic or automatic drain for max. 12 bar	Filter element	40 μ m, optionally 5 μ m, made of polypropylene
Temperature range	0 °C to 70 °C / 32 °F to 158 °F up to 50 °C / 122 °F for semiautomatic or automatic drain version		
Material	Body: zinc die-cast Knob (B20): glass fibre-reinforced plastic Bowl: zinc die-cast Elastomer: NBR/Buna-N	Spring cage: zinc die-cast T-handle (B21): steel Sight glass: polyurethane Inner valve: brass and plastic	



Dimensions			Bowl		Flow rate	Connection thread	Pressure range	Order number
A	B	C	Design	Capacity				

"Maxi" filter regulator								with manual drain, relieving, without gauge, 40 μ m filter element, max. 17 bar	B20
89	289	175	metal/sight glass	0.3	132	2200	G $\frac{1}{4}$	0.2... 4.0 0.3... 9.0 0.5... 17	B20-02WJB B20-02WJC B20-02WJD
					186	3100	G $\frac{3}{8}$	0.2... 4.0 0.3... 9.0 0.5... 17	B20-03WJB B20-03WJC B20-03WJD
					288	4800	G $\frac{1}{2}$	0.2... 4.0 0.3... 9.0 0.5... 17	B20-04WJB B20-04WJC B20-04WJD
111	289	175	metal/sight glass	0.3	408	6800	G $\frac{3}{4}$	0.2... 4.0 0.3... 9.0 0.5... 17	B20-06WJB B20-06WJC B20-06WJD
					420	7000	G1	0.2... 4.0 0.3... 9.0 0.5... 17	B20-08WJB B20-08WJC B20-08WJD



Special options, add the appropriate letter

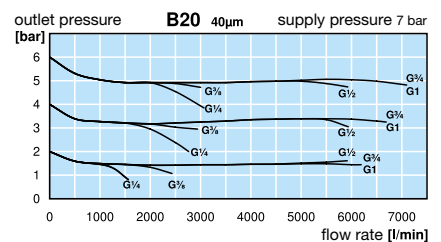
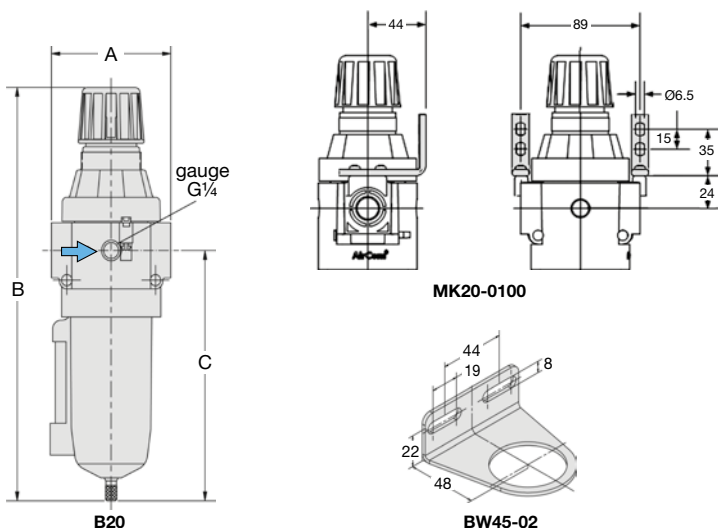
T-handle	including locknut, total height 329 mm	B21-0 . W . .
filter element 5 μm		B20-0 . W.G.
NPT	connection thread	B20-0 . W . .N
non-relieving	without relieving function	B20-0K
semiautomatic drain	RK500SY, max. 12 bar	B20-0 . W . .M
automatic drain	SA605MD, max. 12 bar	B20-0 . W . .R



Accessories, enclosed

pressure gauge	\varnothing 63 mm, 0... ^{*2} bar, G $\frac{1}{4}$	MA6302-..*2
mounting bracket	mounting at the spring cage	BW45-02
mounting nut	made of plastic	M45x1,5K
	made of aluminium	M45x1,5A
mounting bracket set	made of steel	MK20-0100

Filter regulator
17



*1 at 7 bar supply pressure, 6 bar outlet pressure and 1 bar pressure drop *2 04 = 0...4 bar, 10 = 0...10 bar, 25 = 0...25 bar

Extensions: see chapter for FRL service units
Gauges: see chapter for measuring devices
Spare parts: see separate spare parts list

PDF CAD
www.aircom.net

Order example:
B20-02WJB